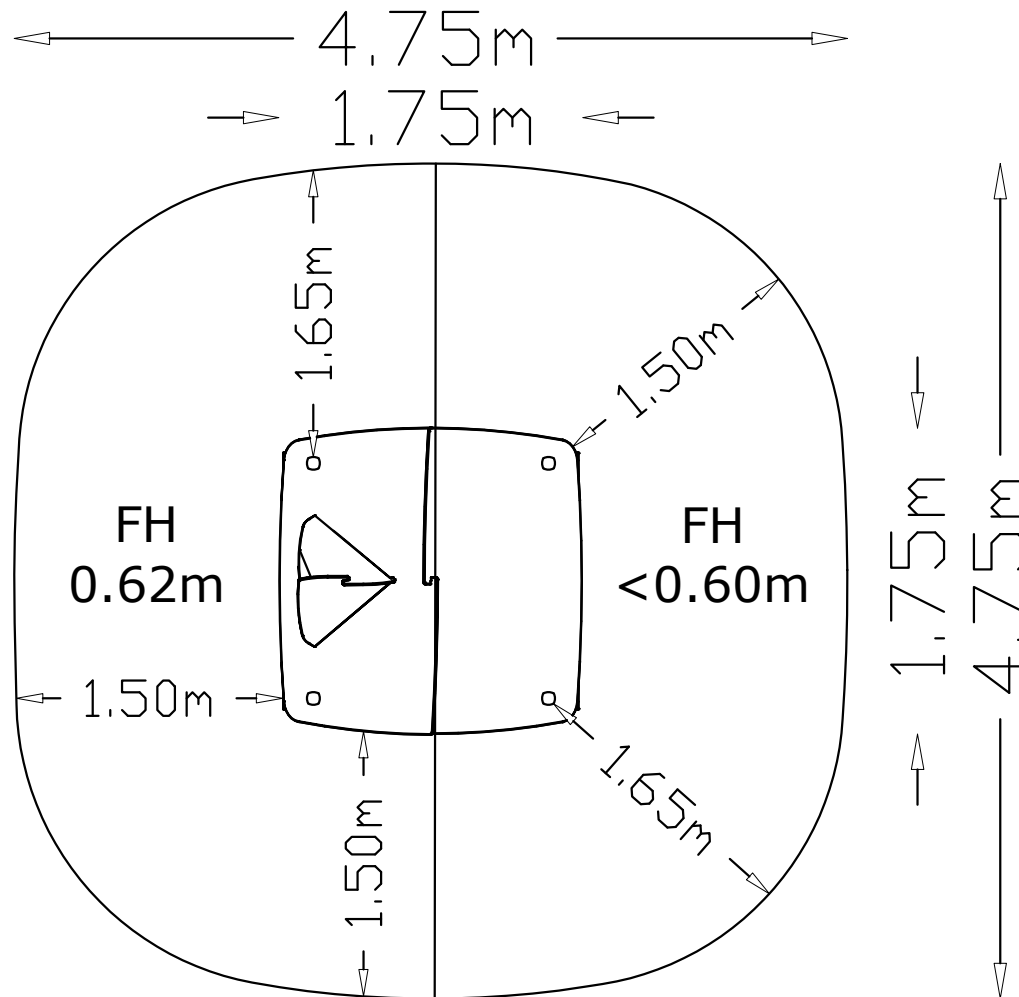
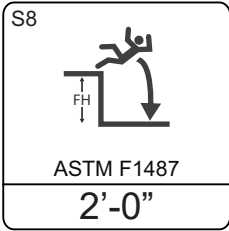
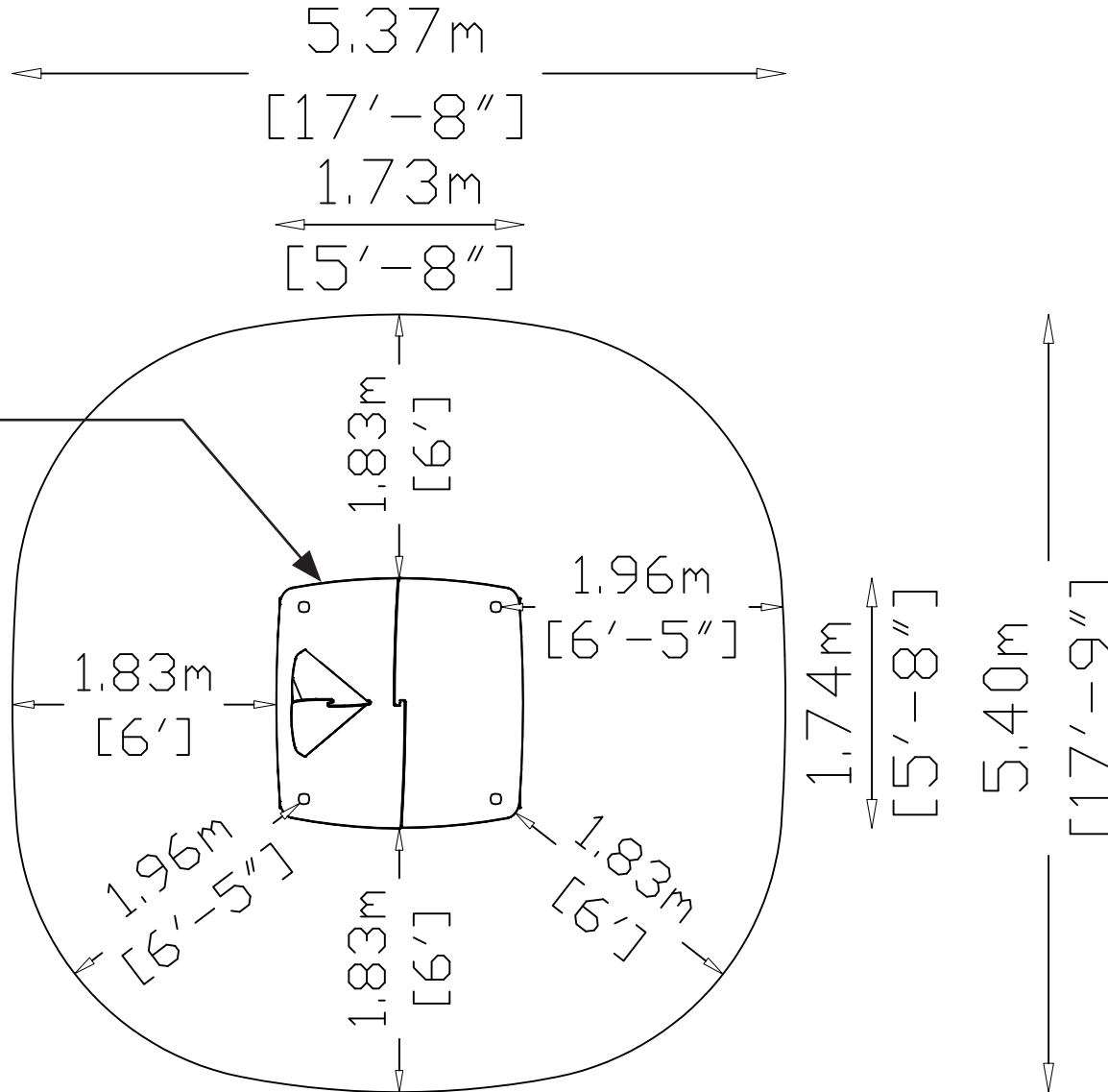


EN1176





ASTM F1487



	<p>WARNING Playground equipment should not be used as an obstacle course or placed with any other surface play or other equipment. Check for proper use and safety. It is not to be used for anything other than its intended purpose.</p>	<p>play smart! rules Do not play on broken or damaged equipment. Report it. Do not play without adequate safety training and supervision. No running, pushing or shoving. Do not play on or near playground equipment and its structure if it is damaged. Watch your head. Do not run. Do not swing, climb, sit, or stand on equipment. Do not play on swings or any equipment that is not safe for use. Do not slide on metal, concrete, or asphalt.</p>
	<p>WARNING Children are required to use only the surface caught on slides and other playground equipment. Before playing children to play before falling, water, rocks, holes, nails, and sharp objects, and other items are prohibited through the slides. Also, remove any foreign objects, rings, or other items that may be in or on equipment.</p>	<p>Do not play on or near playground equipment and its structure if it is damaged. Do not play on swings or any equipment that is not safe for use. Do not slide on metal, concrete, or asphalt.</p>
	<p>WARNING All playground equipment and rubber surfacing has been tested for safety. Check for hot surfaces before allowing children to play. Children should wear appropriate shoes at all times.</p>	<p>Adults - do not slide with a child on your lap. Do not ignore your child's help. Before letting go of overhead bars, hand grips with hand grips, a child will drop straight down with both feet. Do not swing down with both feet. Do not swing down with one foot. Do not swing down with one foot. Do not swing down with one foot.</p>

S9

CSA Z 614
0.97m
[3'-2"]

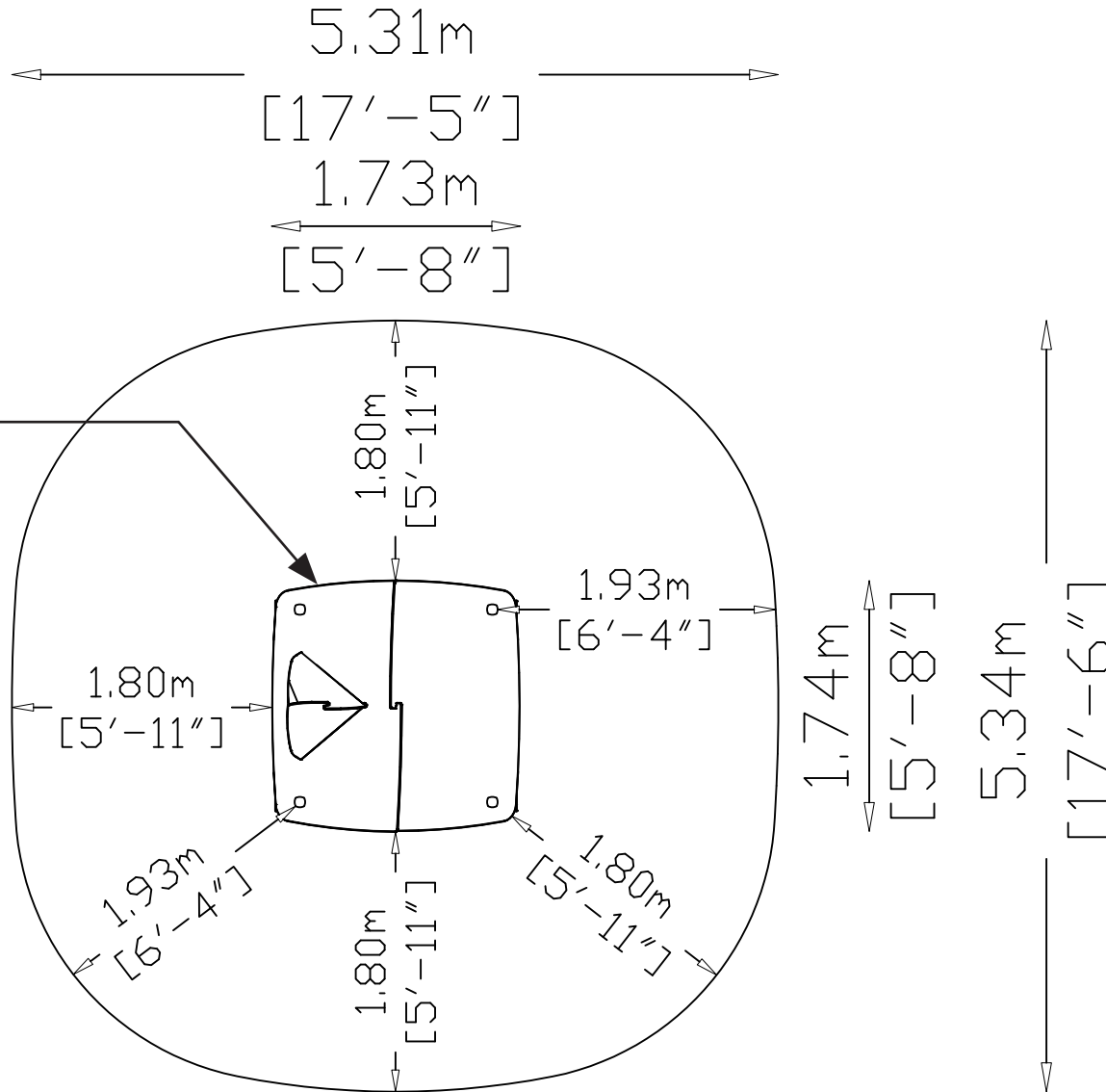
INSTALL
101

HAGS®

FOR KIDS AGES
18-5
MONTHS YEARS

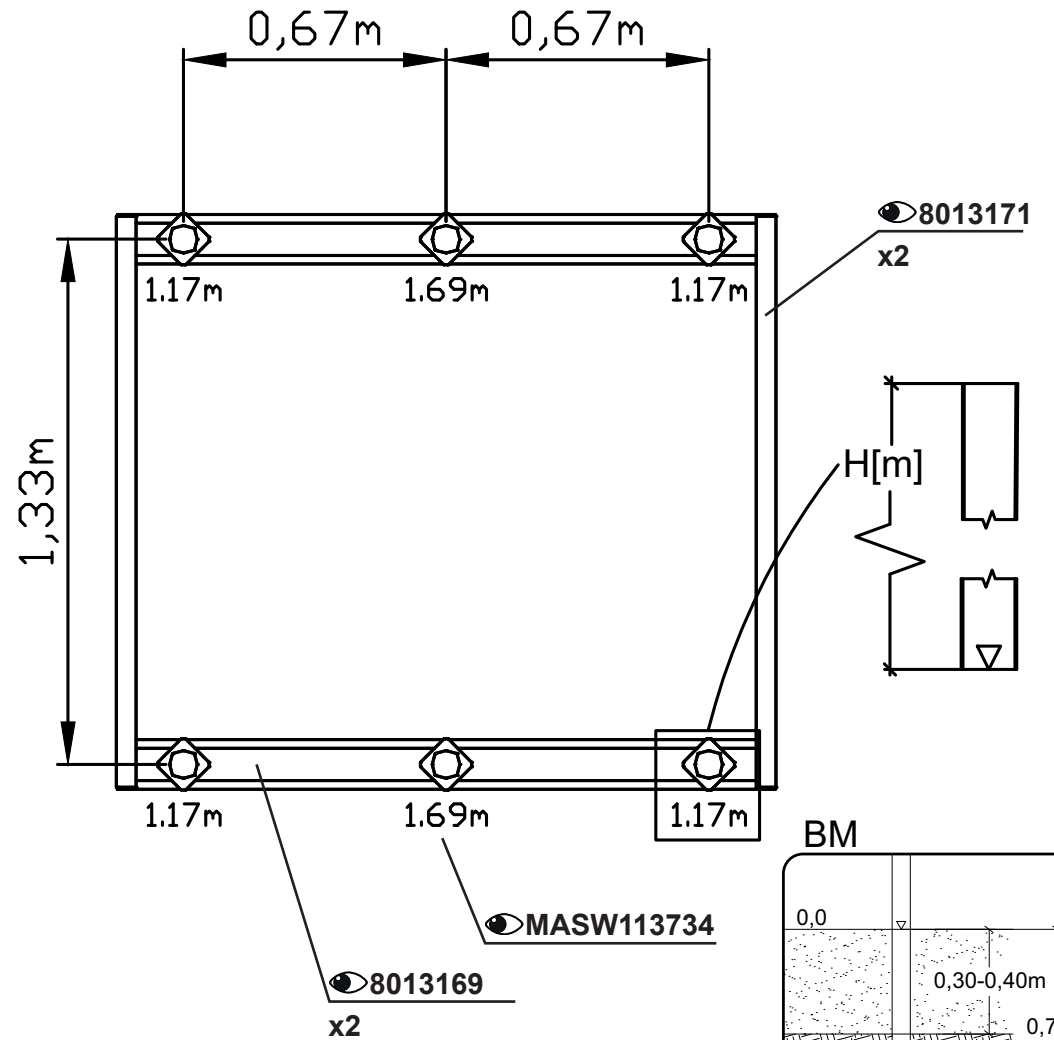
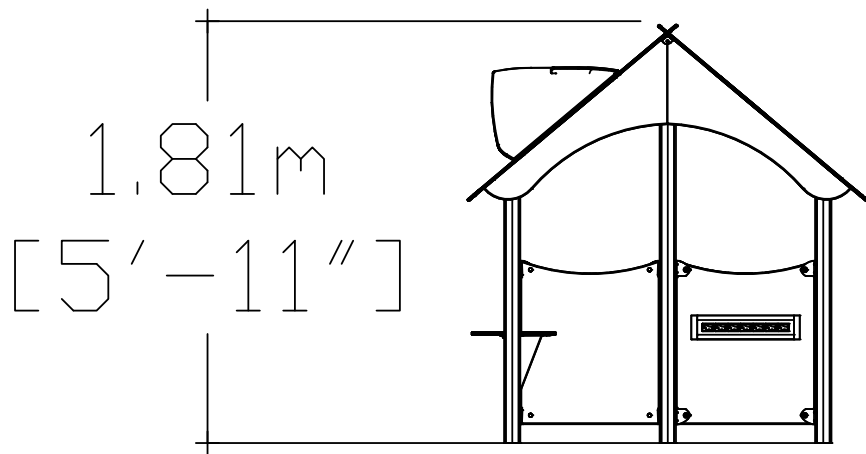
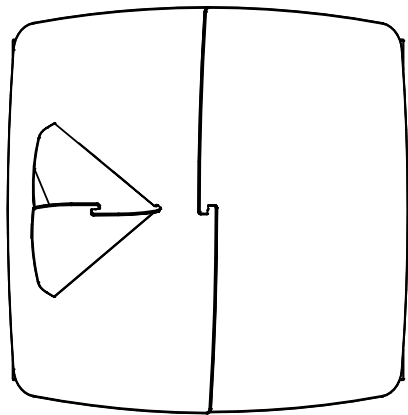
ADULT SUPERVISION RECOMMENDED
www.hags.com

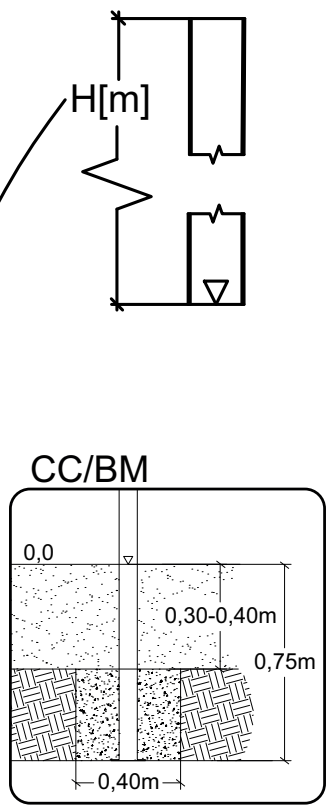
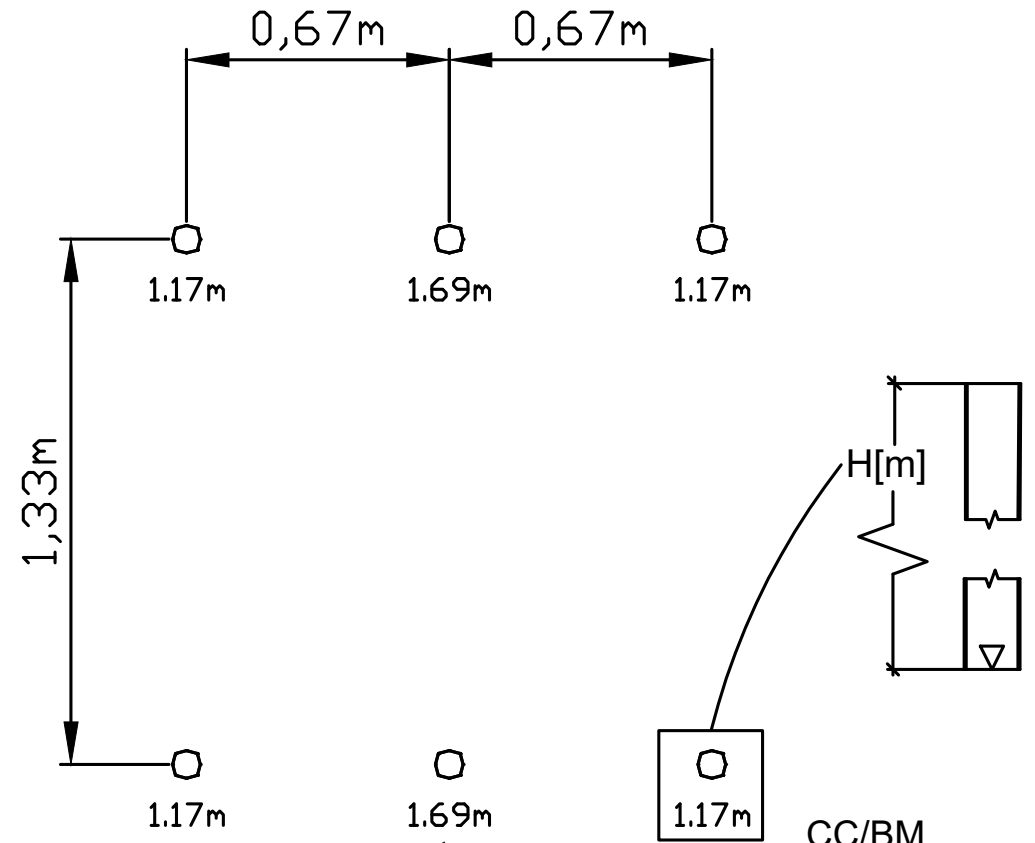
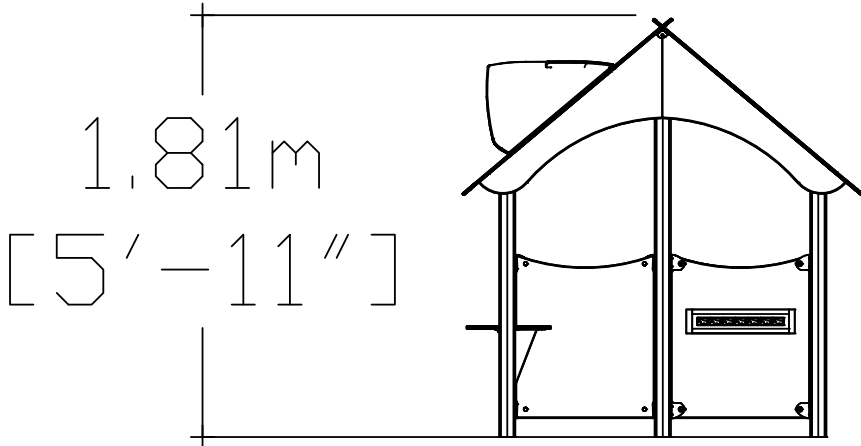
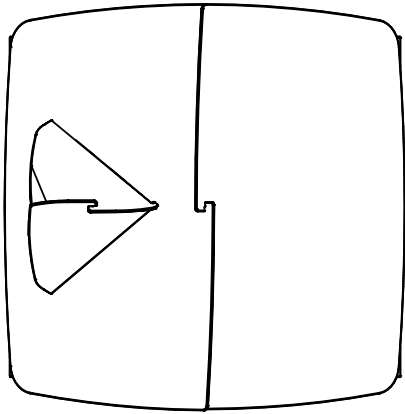
CSA Z614



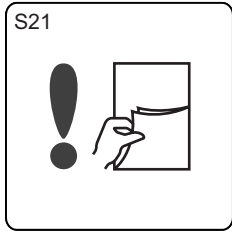
INSTALL
101

<p>WARNING</p> <p>Playground equipment must not be used as an obstacle, support or padding, and may cause serious injury or death. Do not use the playground with an animal. It is meant for use by children only.</p>	<p>WARNING</p> <p>Children are required to use the area before caught in slides and other playground equipment. Before entering slides to play, verify that the slides are clear of children, toys, and other equipment. Do not enter through the slides. Also, verify the proper use, setup, or use time for the slide as it is intended.</p>	<p>play smart! rules</p> <p>Do not play on broken or damaged equipment. Report it.</p> <p>Do not play without adequate safety clothing, shoes and head equipment.</p> <p>No talking, running or shouting should be done while on equipment.</p> <p>Do not play on or run on playground equipment and its structure off of equipment.</p> <p>Watch your head! Do not run, slide, swing, climb, or use other equipment.</p> <p>Do not play on swings or any equipment if the seat or on top of seat through hole or chain.</p> <p>Slide sitting down, feet flat, and one at a time. Do not slide up slides or backwards.</p> <p>Adults - do not slide with a child on your lap. It can injure your child's legs.</p> <p>Before letting go of overhead bars, hand grips and hand your hands a little and slide straight down with both feet.</p> <p>Swing sitting down and do not jump when the playground equipment. The situation while playing and be careful!</p>
---	---	---

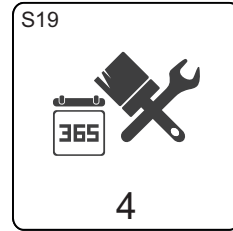
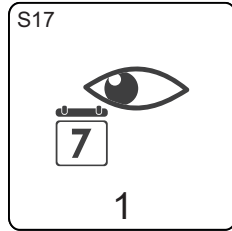
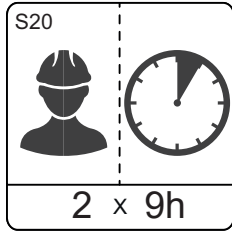




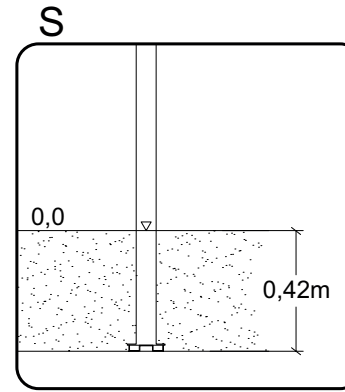
MASW113734



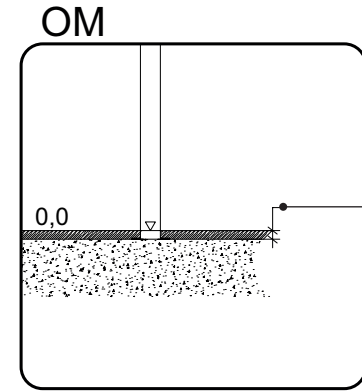
Install 101
6942
6952
260329
6963 05H
MASW113734
MASW34616
MASW39401
MASW39402
MASW44481
MASW94859
ST 6253 02
ST621301
ST695301



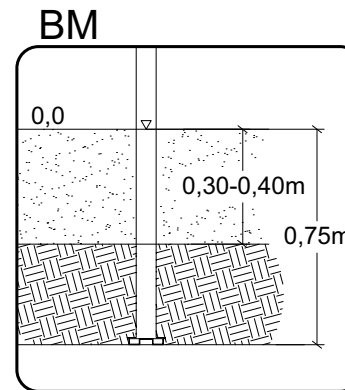
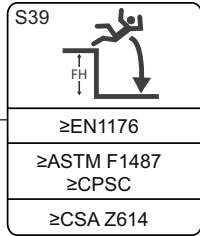
MASW113734



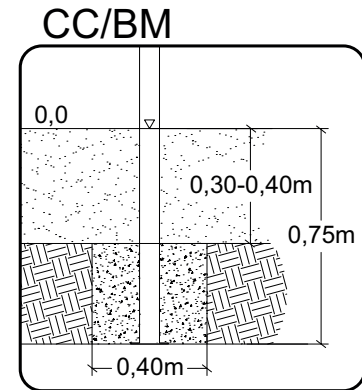
S
Sunken Foundation



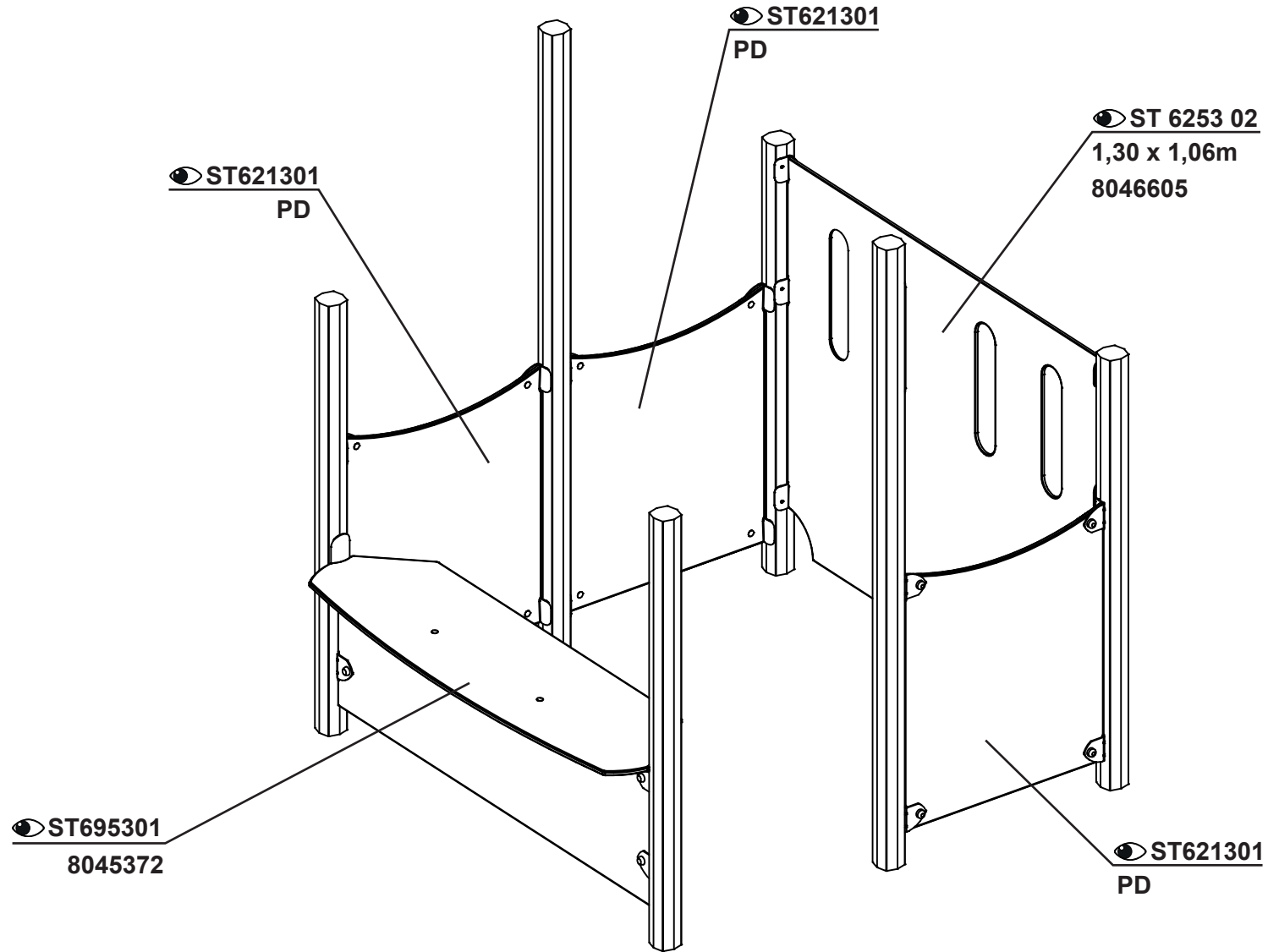
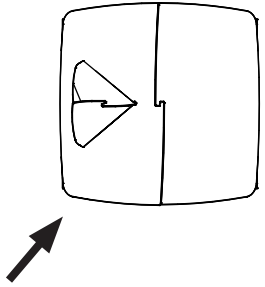
OM
Above Ground

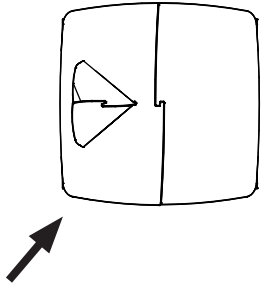


BM
Loosefill
 8112091

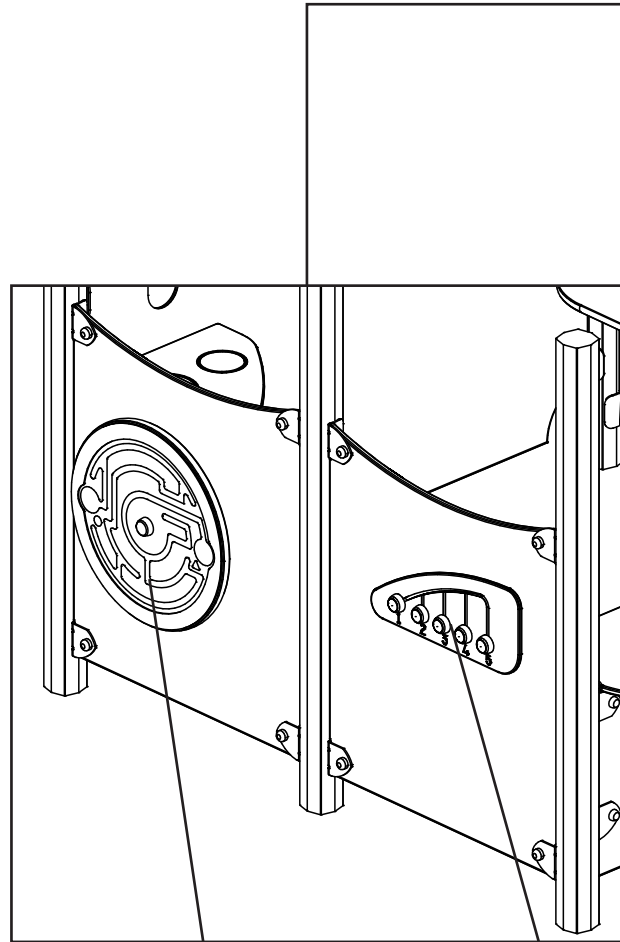


CC/BM
Cast Loosefill
 8112091



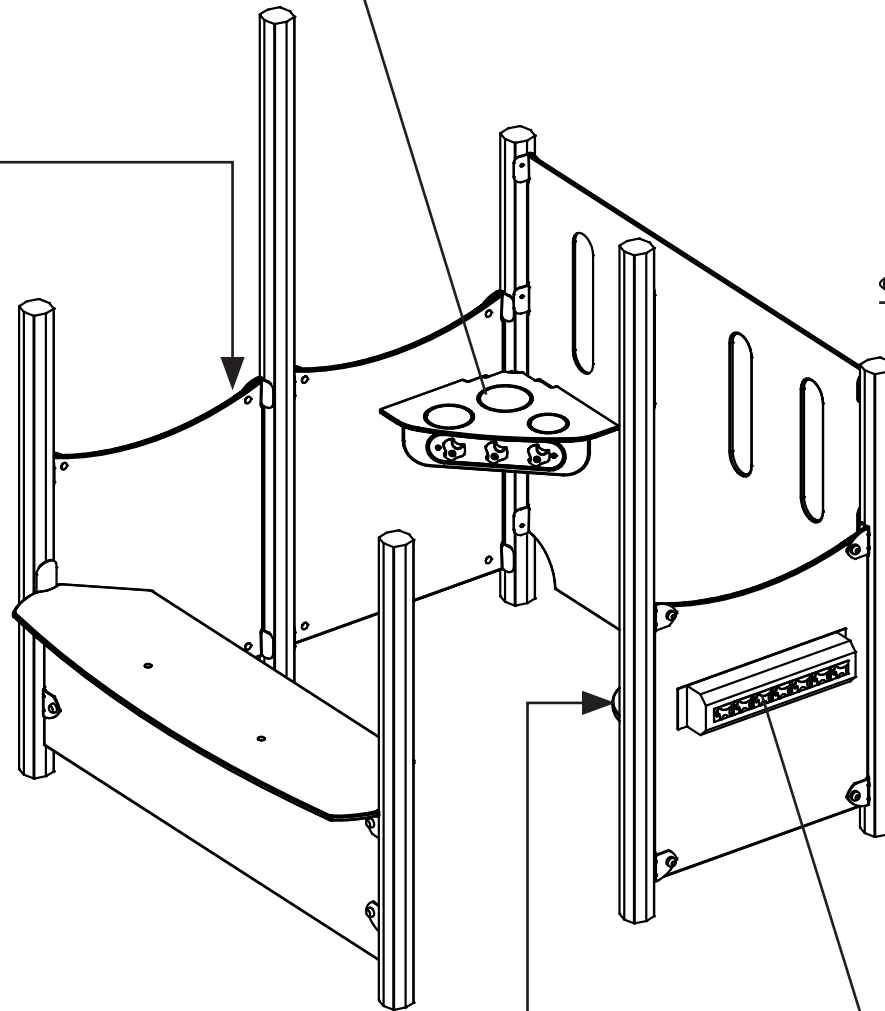


MASW44481

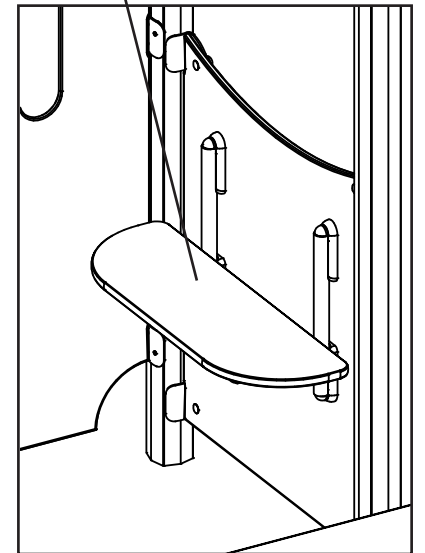


MASW94859

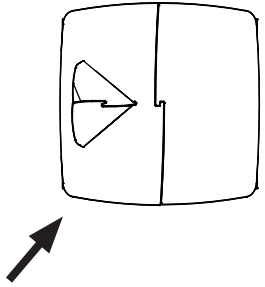
6952



6963 05H



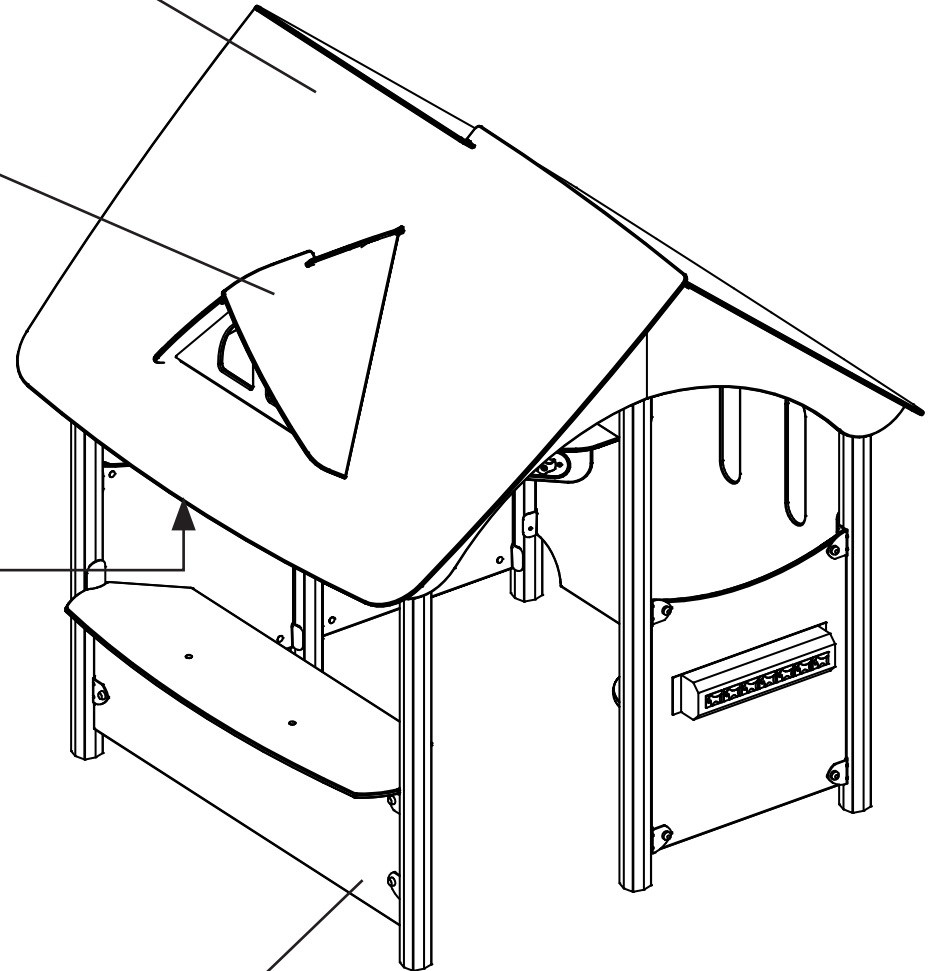
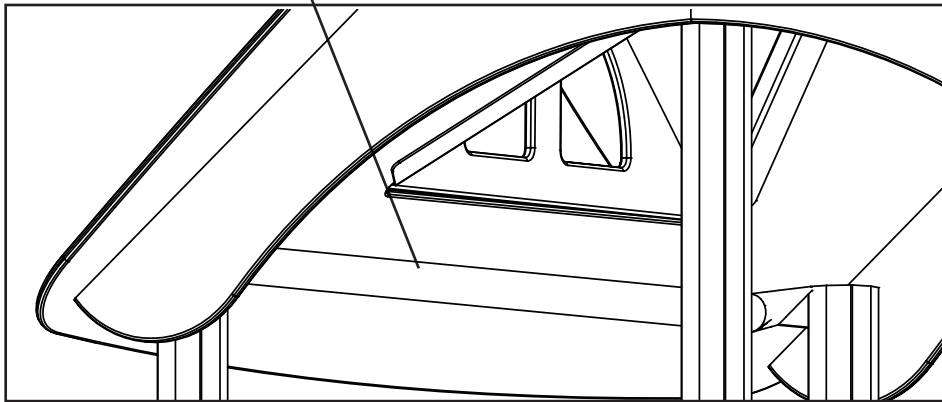
6942



MASW34616

MASW39402

MASW39401



HAGS 260329